

TYPE 53 SLIDE CARBURETTOR

-X DENOTES VARIABLE COMPONENTS SEE PAGE 1

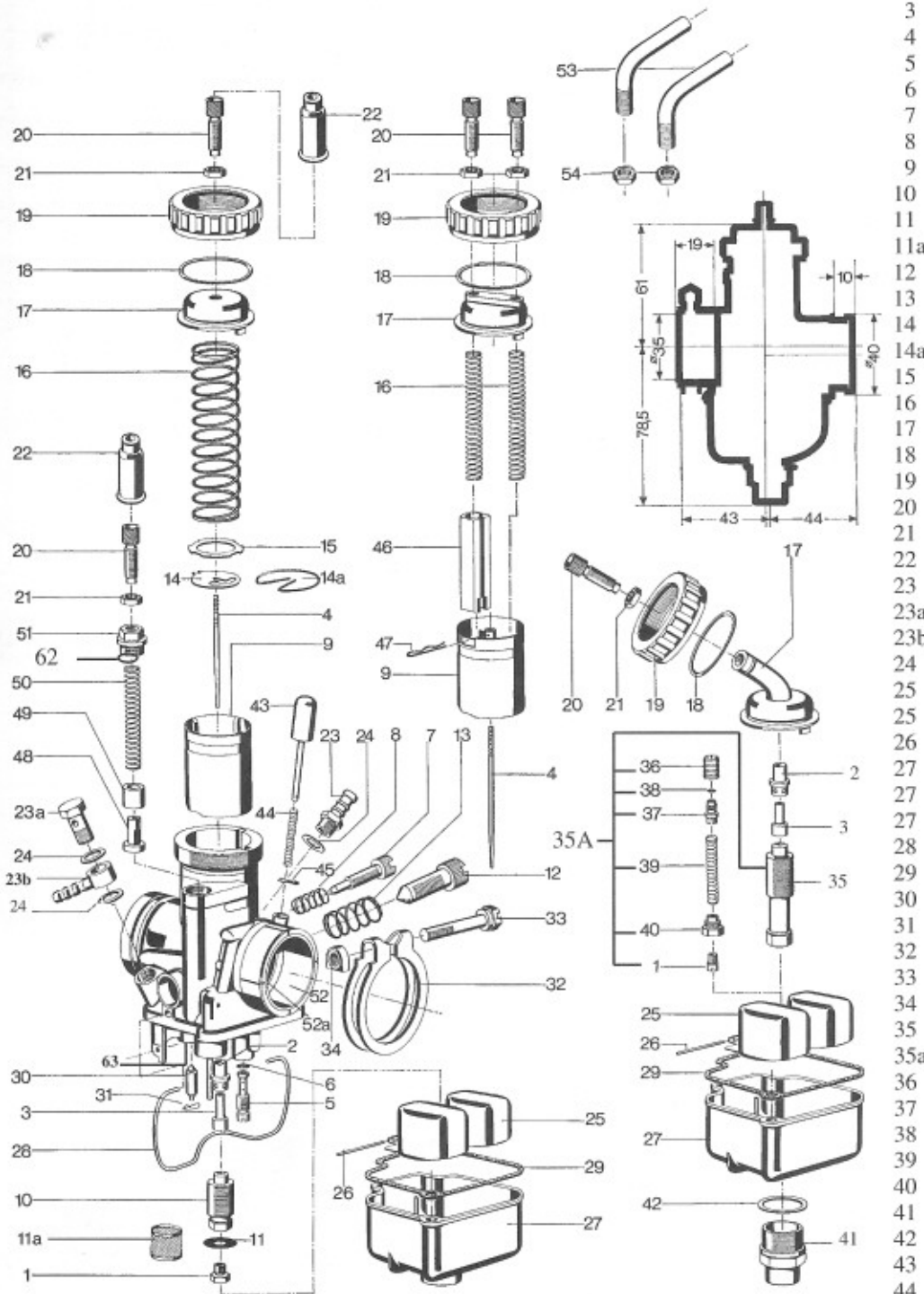


FIG NO.	DESCRIPTION	BING NUMBER
1	MAIN JET	44-031-XXX
1a	MAIN JET	44-051-XXX
2	ATOMIZER	51-590
3	NEEDLE JET	45-191-XXX
4	JET NEEDLE	46-XXX
5	IDLE JET	44-353-XXX
6	"O" RING	65-704
7	AIR SCREW	50-023
8	SPRING	60-160
9	AIR SLIDE	22-XXX
10	JET STOCK	45-425
11	WASHER (norm)	56-152
11a	SCREEN (race)	57-706
12	IDLE SPEED	50-072
13	SPRING	60-322
14	CLIP PLATE	57-252
14a	JET NEEDLE CLIP	61-245
15	RING	57-255
16	SPRING	60-431
17	CAP (L & R)	20-107-101
18	"O" RING	65-740
19	CAP RING	21-542
20	CABLE ADJUST	50-050
21	NUT	42-605
22	CABLE BOOT	65-851
23	FUEL FITTING	51-327
23a	PLUG	50-125
23b	BANJO	34-020
24	SEAL RING	65-178
25	FLOAT (STOCK)	35-300
25	FLOAT (IND)	35-IND
26	PIVOT PIN	52-058
27	FLOAT BOWL-5	30-XXX
27	FLOAT BOWL-6	30-XXX
27	FLOAT BOWL (IND)	30-956/90
28	BOWL CLIP	61-479
29	BOWL GASKET	65-584
30	FLOAT NEEDLE	47-916
31	LOCK SPRING	61-429
32	CLAMP	59-085
33	BOLT	40-626
34	NUT	42-611
35	PUMP CYLINDER	45-525
35a	PUMP ASSEMBLY	45-524-140
36	PISTON	22-010
37	VALVE	50-340
38	REED	65-035
39	SPRING	60-090
40	JET STOCK	50-120
41	CAP	50-285
42	SEAL RING	65-221
43	TICKLER	48-855
44	SPRING	60-055
45	PIN	49-030
46	CHOKE SLIDE	24-035
47	NEEDLE CLIP	61-246
48	PISTON	22-935
49	BUSHING-(brass)	50-672
49	BUSHING(aluminum)	50-676
50	SPRING	60-180
51	LOCK SCREW	50-160
52	BUSHING	66-XXX
52a	RING- /5	65-385
52b	RING-Choke Model	65-387
53	PIPE BEND	55-122
54	NUT	42-655
60	INDEPENDENT FLOAT	35-IND
61	IND. FLOAT ARM	47-274
62	O'RING	65-125
63	FLOAT NEEDLE SEAT	51-540-2.5
63	FLOAT NEEDLE SEAT R60/7	51-541-3.2

ALCOHOL PROOF FLOAT & BOWL KIT
AVAILABLE SEE PAGE 24 (Part # 53 F&B Kit)